



2

LLAVES



Cód. **001.021**
pág. | 37



Cód. **010.001**
pág. | 38



Cód. **015.011**
pág. | 39



Cód. **025.061**
pág. | 40



Cód. **018.511**
pág. | 41



Cód. **020.011**
pág. | 43



Cód. **028.021**
pág. | 44



Cód. **019.511**
pág. | 44



Cód. **033.061**
pág. | 45



Cód. **029.351**
pág. | 45



Cód. **030.241**
pág. | 46



Cód. **051.061**
pág. | 47



Cód. **055.011**
pág. | 48



Cód. **417.011**
pág. | 49



Cód. **192.011**
pág. | 49

2

3

4

5

6

7

8

9

10

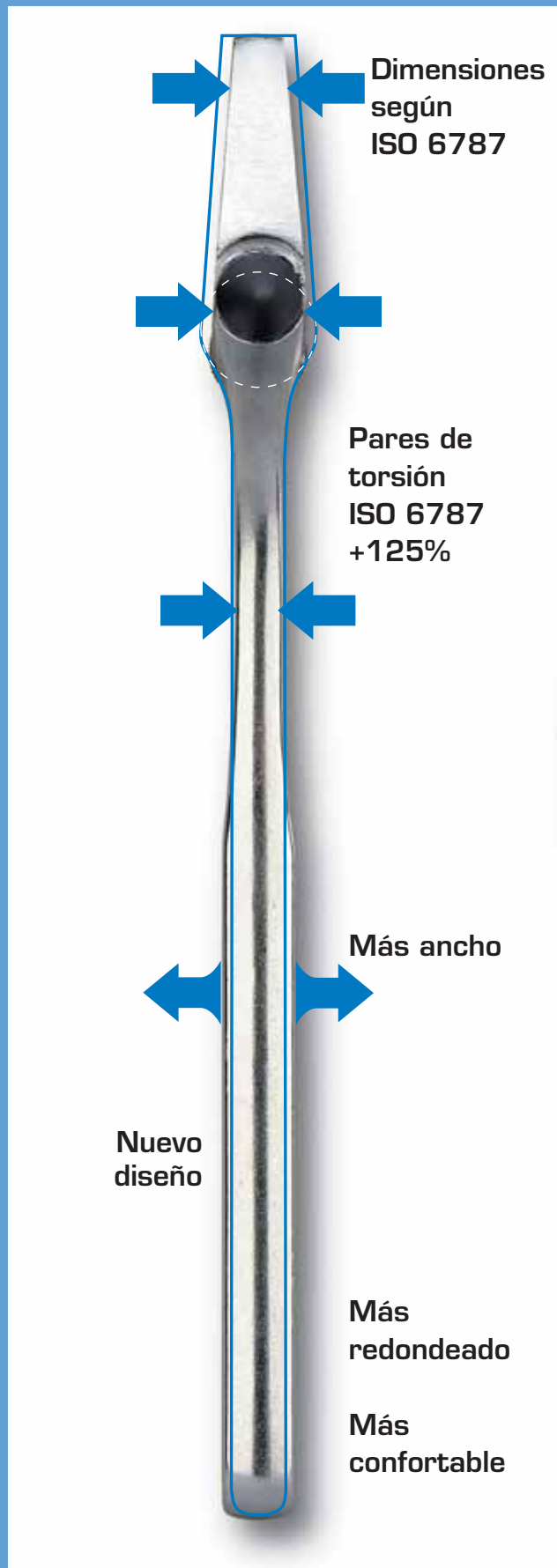
11

12

13

14

mayor accesibilidad



mayor capacidad

| COD. | Desig. | L | | Cap. (s) 1946 | Cap. (s) nuevas | |
|---------|--------|------|-----|---------------|-----------------|---------|
| | | inch | mm. | | mm | inch |
| 001.021 | 3/8" | 6 | 150 | 19 | 21 | 13/16 |
| 001.031 | 1/2" | 8 | 200 | 27 | 29 | 1. 1/8 |
| 001.041 | 5/8" | 10 | 250 | 30 | 34 | 1. 5/16 |
| 001.051 | 3/4" | 12 | 300 | 36 | 39 | 1. 1/2 |
| 001.061 | 1" | 16 | 400 | 46 | 48 | 1. 7/8 |
| 001.071 | 1.1/4" | 20 | 500 | 56 | 57,15 | 2. 1/4 |
| 001.081 | 1.5/8" | 30 | 750 | 72 | 77 | 3 |

La más robusta de estas características

única en el mundo



Llave de 30" forjada en una pieza

óptimo para tuercas hexagonales

Fabricada por SNA EUROPE, único fabricante europeo de estas llaves



Inventado por IRIMO EN 1946



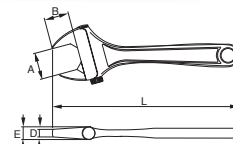
LLAVE AJUSTABLE DE MOLETA LATERAL

UNE 16532
ISO 6787
DIN 3117



Dureza: 40-45 HRc
Recubrimiento: Cromado
ACERO CROMO VANADIO

| COD. | Desig. | A | B | D | E | L | grs. | u. |
|---------|---------------------|----|------|-----|----|-----|-------|----|
| 001.021 | 150 mm. 6" - 3/8 | 21 | 18,5 | 6,5 | 12 | 155 | 140 | 1 |
| 001.031 | 200 mm. 8" - 1/2 | 29 | 26 | 8 | 14 | 205 | 290 | 1 |
| 001.041 | 250 mm. 10" - 5/8 | 34 | 32 | 9 | 17 | 255 | 510 | 1 |
| 001.051 | 300 mm. 12" - 3/4 | 39 | 36 | 10 | 20 | 305 | 795 | 1 |
| 001.061 | 400 mm. 16" - 1" | 49 | 44 | 14 | 26 | 405 | 1.620 | 1 |
| 001.071 | 500 mm. 20" - 1.1/4 | 62 | 53 | 17 | 30 | 500 | 2.860 | 1 |
| 001.081 | 750 mm. 30" - 1.5/8 | 78 | 70 | 23 | 37 | 750 | 5.550 | 1 |

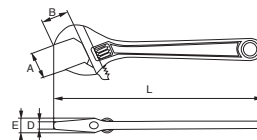


LLAVE AJUSTABLE DE SINFIN CENTRAL

UNE 16532
ISO 6787
DIN 3117



Dureza: 40-45 HRc
Recubrimiento: Cromado
ACERO CROMO VANADIO

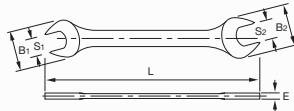


| COD. | Desig. | A | B | D | E | L | grs. | u. |
|---------|---------------|----|------|-----|------|-----|-------|----|
| 005.011 | 100 mm. - 4" | 13 | 13,5 | 3,5 | 9 | 115 | 60 | 5 |
| 005.021 | 150 mm. - 6" | 20 | 21 | 5,5 | 12 | 160 | 130 | 5 |
| 005.031 | 200 mm. - 8" | 24 | 26 | 7,5 | 13,5 | 205 | 250 | 5 |
| 005.041 | 250 mm. - 10" | 29 | 29,5 | 9 | 16 | 260 | 405 | 5 |
| 005.051 | 300 mm. - 12" | 36 | 36 | 11 | 19 | 310 | 650 | 5 |
| 005.061 | 375 mm. - 15" | 43 | 45 | 13 | 24 | 385 | 1.230 | 1 |
| 005.071 | 450 mm. - 18" | 57 | 53 | 15 | 27,5 | 465 | 2.000 | 1 |



LLAVE FIJA DE DOS BOCAS

UNE 16521
ISO 10102
DIN 3110



Dureza: 44-50 HRC
Recubrimiento: Cromado



JUEGOS

| COD. | S1xS2 | B1 | B2 | E | L | grs. | u. |
|----------|-------|----|-----|------|-----|-------|----|
| 010.001 | 4x5 | 13 | 15 | 3,2 | 105 | 15 | 10 |
| 010.021 | 5,5x7 | 16 | 18 | 4 | 120 | 21 | 10 |
| 010.011 | 6x7 | 16 | 18 | 4 | 120 | 21 | 10 |
| 010.031 | 8x9 | 19 | 21 | 4,3 | 135 | 30 | 10 |
| 010.041 | 8x10 | 19 | 21 | 4,3 | 135 | 30 | 1 |
| 010.051 | 10x11 | 23 | 26 | 4,8 | 150 | 46 | 10 |
| *010.061 | 10x12 | 23 | 26 | 4,8 | 150 | 46 | 1 |
| 010.821 | 10x13 | 23 | 26 | 4,8 | 150 | 46 | 10 |
| 010.071 | 12x13 | 28 | 30 | 5,5 | 165 | 66 | 10 |
| *010.081 | 13x14 | 28 | 30 | 5,5 | 165 | 66 | 1 |
| 010.101 | 13x17 | 31 | 34 | 5,9 | 180 | 95 | 1 |
| 010.091 | 14x15 | 31 | 34 | 5,9 | 180 | 95 | 10 |
| 010.111 | 14x17 | 31 | 34 | 5,9 | 180 | 95 | 1 |
| 010.121 | 16x17 | 35 | 37 | 6,3 | 195 | 124 | 10 |
| 010.131 | 17x19 | 39 | 41 | 6,8 | 210 | 160 | 10 |
| 010.141 | 18x19 | 39 | 41 | 6,8 | 210 | 157 | 10 |
| *010.831 | 18x21 | 39 | 41 | 6,8 | 210 | 154 | 1 |
| 010.161 | 19x22 | 42 | 46 | 7,3 | 225 | 190 | 1 |
| 010.171 | 20x22 | 42 | 46 | 7,3 | 225 | 188 | 10 |
| 010.181 | 21x23 | 45 | 49 | 7,5 | 240 | 211 | 5 |
| 010.191 | 22x24 | 45 | 49 | 7,5 | 240 | 208 | 5 |
| 010.201 | 24x26 | 49 | 53 | 8,1 | 260 | 293 | 5 |
| 010.211 | 24x27 | 49 | 53 | 8,1 | 260 | 284 | 1 |
| 010.221 | 25x28 | 53 | 58 | 8,7 | 280 | 366 | 5 |
| 010.241 | 27x29 | 53 | 58 | 8,7 | 280 | 362 | 5 |
| 010.231 | 27x30 | 53 | 58 | 8,7 | 280 | 360 | 1 |
| *010.811 | 27x32 | 60 | 67 | 9,3 | 300 | 471 | 1 |
| 010.251 | 30x32 | 60 | 67 | 9,3 | 300 | 481 | 5 |
| 010.271 | 32x36 | 66 | 74 | 11,3 | 355 | 714 | 1 |
| 010.261 | 34x36 | 66 | 74 | 11,3 | 355 | 700 | 1 |
| 010.281 | 36x41 | 74 | 83 | 11,8 | 385 | 880 | 1 |
| 010.291 | 41x46 | 82 | 93 | 12,3 | 415 | 1.185 | 1 |
| 010.301 | 46x50 | 93 | 100 | 12,8 | 445 | 1.550 | 1 |

| COD. | Nº Pzas. | Contenido | grs. |
|---------|----------|---|-------|
| 011.111 | 6 | 6-7, 8-9, 10-11, 12-13 14-15, 16-17 | 420 |
| 011.121 | 6 | 6-7, 8-9, 10-11, 12-13 14-17, 19-22 | 490 |
| 011.131 | 8 | 6-7, 8-9, 10-11, 12-13 14-15, 16-17, 18-19, 20-22 | 770 |
| 011.141 | 10 | 6-7, 8-9, 10-11, 12-13 14-15, 16-17, 18-19, 20-22 21-23, 24-26 | 1.270 |
| 011.151 | 10 | 6-7, 8-9, 10-11, 12-13 14-15, 16-17, 18-19, 20-22 21-23, 24-27 | 1.285 |
| 011.161 | 8 | 6-7, 8-9, 10-11, 12-13 14-17, 19-22, 24-27, 30-32 | 1.235 |
| 011.171 | 12 | 6-7, 8-9, 10-11, 12-13 14-15, 16-17, 18-19, 20-22 21-23, 24-26, 25-28, 30-32 | 2.155 |
| 011.181 | 12 | 6-7, 8-9, 10-11, 12-13 14-15, 16-17, 18-19, 20-22 21-23, 24-27, 25-28, 30-32 | 2.120 |
| 011.311 | 6 | 3/8-7/16, 7/16-1/2, 1/2-9/16, 9/16-5/8, 11/16-3/4, 13/16-7/8 | 655 |
| 011.321 | 6 | 1/4-5/16, 3/8-7/16, 1/2-9/16, 5/8-11/16, 3/4-7/8, 15/16-1" | 780 |
| 011.331 | 8 | 1/4-5/16, 3/8-7/16, 1/2-9/16, 19/32-5/8, 11/16-3/4, 13/16-7/8, 15/16-1", 1,1/16-1,1/8 | 1.285 |



JUEGOS

| COD. | S | B1 | B2 | E | L | grs. | u. |
|----------|-----------------|----|-----|------|-----|-------|----|
| 010.311 | 1/4 x 5/16 | 16 | 18 | 4 | 120 | 21 | 1 |
| 010.331 | 5/16 x 3/8 | 19 | 21 | 4,3 | 135 | 30 | 1 |
| 010.341 | 3/8 x 7/16 | 23 | 26 | 4,8 | 150 | 46 | 1 |
| 010.351 | 7/16 x 1/2 | 28 | 30 | 5,5 | 165 | 66 | 1 |
| 010.361 | 1/2 x 9/16 | 28 | 30 | 5,5 | 165 | 66 | 1 |
| 010.371 | 9/16 x 5/8 | 31 | 34 | 5,9 | 180 | 95 | 1 |
| *010.381 | 19/32 x 5/8 | 31 | 34 | 5,9 | 180 | 95 | 1 |
| 010.401 | 5/8 x 11/16 | 35 | 37 | 6,3 | 195 | 123 | 1 |
| 010.411 | 5/8 x 3/4 | 35 | 37 | 6,3 | 195 | 122 | 1 |
| 010.421 | 11/16 x 3/4 | 39 | 41 | 6,8 | 210 | 160 | 1 |
| 010.451 | 3/4 x 7/8 | 42 | 46 | 7,3 | 225 | 190 | 1 |
| 010.461 | 13/16 x 7/8 | 42 | 46 | 7,3 | 225 | 190 | 1 |
| 010.481 | 7/8 x 15/16 | 45 | 49 | 7,5 | 240 | 210 | 1 |
| 010.491 | 15/16 x 1" | 49 | 53 | 8,1 | 260 | 293 | 1 |
| 010.521 | 1.1/16 x 1.1/8 | 53 | 58 | 8,7 | 280 | 362 | 1 |
| 010.531 | 1.1/16 x 1.1/4 | 60 | 67 | 9,3 | 300 | 471 | 1 |
| 010.571 | 1.5/16 x 1.1/2 | 66 | 74 | 11,3 | 355 | 710 | 1 |
| 010.581 | 1.7/16 x 1.5/8 | 74 | 83 | 11,8 | 385 | 890 | 1 |
| 010.591 | 1.5/8 x 1.13/16 | 82 | 93 | 12,3 | 415 | 1.120 | 1 |
| 010.611 | 1.13/16 x 2" | 93 | 100 | 12,8 | 445 | 1.520 | 1 |

| COD. | Nº Pzas. | Contenido | grs. |
|---------|----------|--|-------|
| 011.411 | 6 | 6-7, 8-9, 10-11, 12-13 14-15, 16-17 | 435 |
| 011.421 | 8 | 6-7, 8-9, 10-11, 12-13 14-15, 16-17, 18-19, 20-22 | 810 |
| 011.431 | 12 | 6-7, 8-9, 10-11, 12-13 14-15, 16-17, 18-19, 20-22 21-23, 24-26, 25-28, 30-32 | 2.270 |
| 011.441 | 12 | 6-7, 8-9, 10-11, 12-13 14-15, 16-17, 18-19, 20-22 21-23, 24-27, 25-28, 30-32 | 2.220 |

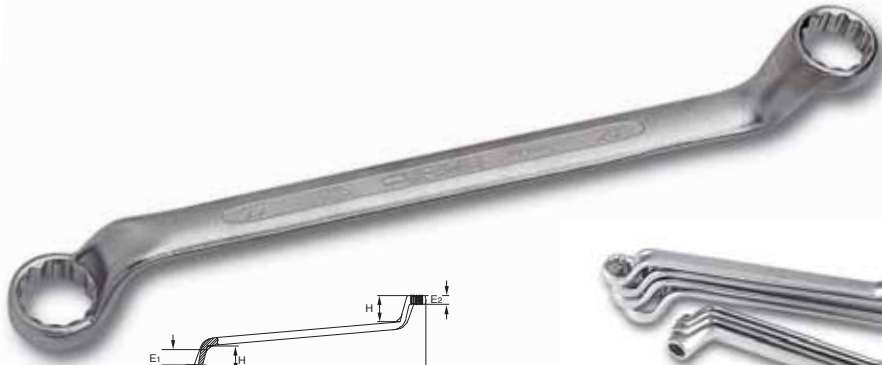


- El ángulo de 15° de su cabeza permite una rápida utilización.
- Cabeza de tamaño reducido.

* Hasta agotar existencias.

LLAVE DE ESTRELLA ACODADA DE DOS BOCAS

UNE 16522
ISO 10104
DIN 838



Dureza: 42-48 HRc
Recubrimiento: Cromado



JUEGOS

| COD. | S1xS2 | B1 | B2 | E1 | E2 | H | L | grs. | u. |
|------------|-------------|------|------|------|------|------|-----|-------|----|
| 015.011 | 6x7 | 10,5 | 12 | 5 | 6 | 18 | 165 | 50 | 10 |
| 015.031 | 8x9 | 13 | 14,5 | 6 | 6,5 | 19 | 180 | 69 | 10 |
| 015.051 | 10x11 | 16,1 | 18,1 | 7 | 7,5 | 21 | 190 | 92 | 10 |
| 015.071 | 12x13 | 18,7 | 20,8 | 8 | 8,5 | 23 | 210 | 117 | 10 |
| 015.091 | 14x15 | 22,5 | 24,5 | 8,5 | 9,5 | 24 | 225 | 148 | 10 |
| 015.121 | 16x17 | 25 | 27 | 9,5 | 10 | 26 | 245 | 201 | 10 |
| 015.131 | 17x19 | 27,5 | 29,5 | 10,5 | 11 | 28 | 265 | 252 | 10 |
| (1)018.131 | 17x19(Seat) | 27 | 29,5 | 10 | 11 | 45,5 | 265 | 252 | 10 |
| 015.141 | 18x19 | 27,5 | 29,5 | 10,5 | 11 | 28 | 265 | 244 | 10 |
| 015.161 | 19x22 | 30,6 | 33,7 | 11,5 | 12 | 30 | 290 | 316 | 1 |
| 015.171 | 20x22 | 30,6 | 33,7 | 11,5 | 12 | 30 | 290 | 321 | 5 |
| (2)018.181 | 21x22 R | 37 | 38 | 15 | 15 | 33 | 303 | 595 | 5 |
| 015.181 | 21x23 | 32,7 | 35,7 | 12 | 13 | 30 | 305 | 349 | 5 |
| 015.191 | 22x24 | 32,7 | 35,7 | 12 | 13 | 30 | 305 | 370 | 1 |
| 015.201 | 24x26 | 35,7 | 40 | 13 | 14 | 32 | 325 | 440 | 5 |
| 015.211 | 24x27 | 35,7 | 40 | 13 | 14 | 32 | 325 | 450 | 1 |
| 015.221 | 25x28 | 37,8 | 43 | 13,5 | 14,5 | 33 | 335 | 525 | 5 |
| 015.241 | 27x29 | 42 | 46,1 | 14 | 15 | 35 | 351 | 594 | 5 |
| 015.261 | 27x30 | 42 | 46,1 | 14 | 15 | 35 | 351 | 591 | 1 |
| * 015.231 | 27x32 | 41,5 | 48 | 14 | 15,5 | 35 | 360 | 603 | 1 |
| 015.251 | 30x32 | 46,5 | 49,5 | 15 | 16 | 35 | 361 | 679 | 5 |
| 015.271 | 32x36 | 49,5 | 55,5 | 17 | 18 | 39,5 | 416 | 1.015 | 1 |
| 015.281 | 36x41 | 55 | 61,5 | 18,5 | 19,5 | 42 | 444 | 1.215 | 1 |
| 015.291 | 41x46 | 61,5 | 67,5 | 20 | 21 | 44 | 482 | 1.550 | 1 |
| 015.301 | 46X50 | 67,5 | 74 | 21 | 22 | 46 | 540 | 1.930 | 1 |

(1) CODO LARGO
(2) REFORZADA

* Hasta fin de existencias



| COD. | Nº Pzas. | Contenido | grs. |
|---------|----------|--|-------|
| 016.111 | 6 | 6-7, 8-9, 10-11, 12-13 14-15, 16-17 | 690 |
| 016.131 | 8 | 6-7, 8-9, 10-11, 12-13 14-15, 16-17, 18-19, 20-22 | 1.245 |
| 016.141 | 10 | 6-7, 8-9, 10-11, 12-13 14-15, 16-17, 18-19, 20-22 21-23, 24-26 | 2.090 |
| 016.151 | 10 | 6-7, 8-9, 10-11, 12-13 14-15, 16-17, 18-19, 20-22 21-23, 24-27 | 2.530 |
| 016.171 | 12 | 6-7, 8-9, 10-11, 12-13 14-15, 16-17, 18-19, 20-22 21-23, 24-26, 25-28, 30-32 | 3.280 |
| 016.181 | 12 | 6-7, 8-9, 10-11, 12-13 14-15, 16-17, 18-19, 20-22 21-23, 24-27, 25-28, 30-32 | 3.265 |
| 016.281 | 5 | 5/16-3/8, 7/16-1/2, 1/2-9/16, 9/16-5/8, 3/4-7/8 | 780 |
| 016.291 | 6 | 1/4-5/16, 3/8-7/16, 1/2-9/16, 5/8-11/16, 3/4-7/8, 15/16-1" | 1.235 |

JUEGOS

| COD. | S1xS2 | B1 | B2 | E1 | E2 | H | L | grs. | u. |
|---------|--------------|------|------|------|------|------|-----|------|----|
| 015.311 | 1/4x5/16 | 10,5 | 12 | 5 | 6 | 18 | 165 | 50 | 1 |
| 015.331 | 5/16x3/8 | 13 | 14,5 | 6 | 6,5 | 19 | 180 | 69 | 1 |
| 015.341 | 3/8x7/16 | 16,1 | 18,1 | 7 | 7,5 | 21 | 190 | 81 | 1 |
| 015.351 | 7/16x1/2 | 18,7 | 20,8 | 8 | 8,5 | 23 | 210 | 117 | 1 |
| 015.361 | 1/2x9/16 | 18,7 | 22,5 | 8 | 8,5 | 23 | 210 | 117 | 1 |
| 015.371 | 9/16x5/8 | 22,5 | 24,5 | 8,5 | 9,5 | 24 | 225 | 148 | 1 |
| 015.401 | 5/8x11/16 | 25 | 27 | 9,5 | 10 | 26 | 245 | 201 | 1 |
| 015.421 | 11/16x3/4 | 27,5 | 29,5 | 10,5 | 11 | 28 | 265 | 244 | 1 |
| 015.451 | 3/4x7/8 | 30,6 | 33,7 | 11,5 | 12 | 30 | 290 | 316 | 1 |
| 015.461 | 13/16x7/8 | 30,6 | 33,7 | 11,5 | 12 | 30 | 290 | 321 | 1 |
| 015.481 | 7/8x15/16 | 32,7 | 35,7 | 12 | 13 | 30 | 305 | 349 | 1 |
| 015.491 | 15/16x1 | 35,7 | 40 | 13 | 14 | 32 | 325 | 440 | 1 |
| 015.521 | 1.1/16x1.1/8 | 42 | 46,1 | 14 | 15 | 35 | 351 | 594 | 1 |
| 015.531 | 1.1/16x1.1/4 | 41,5 | 48 | 14 | 15,5 | 34 | 357 | 610 | 1 |
| 015.591 | 1.1/4x1.7/16 | 49,5 | 55,5 | 17 | 18 | 39,5 | 416 | 980 | 1 |
| 015.551 | 1.5/16x1.1/2 | 49,5 | 55,5 | 17 | 18 | 39,5 | 416 | 990 | 1 |

- Acero cromo vanadio



Anillas extra delgadas

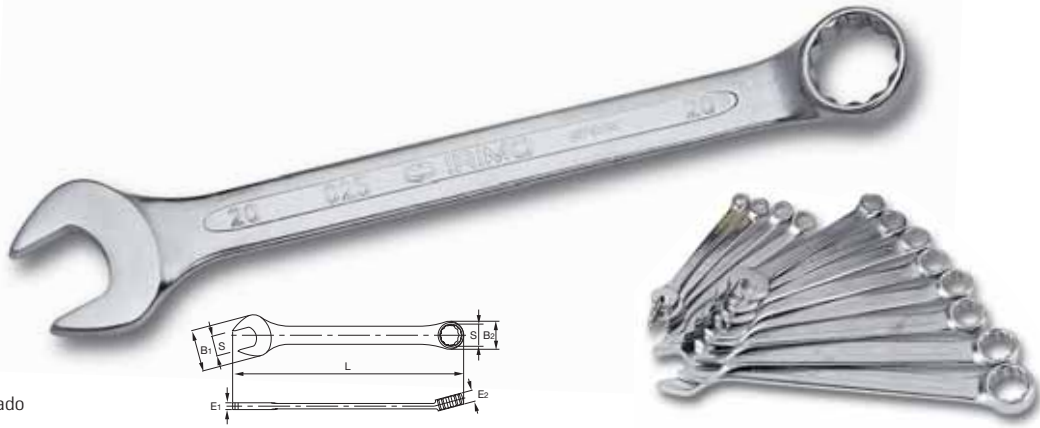


Gran alcance gracias a su forma acodada



LLAVE COMBINADA

UNE 16538
ISO 7738
DIN 3113



Dureza: 44÷50 HRc
Recubrimiento: Cromado

| COD. | S | B1 | B2 | E1 | E2 | L | grs. | u. |
|---------|----|-----|------|------|------|-----|-------|----|
| 025.061 | 6 | 16 | 10,5 | 3,7 | 5 | 105 | 14 | 10 |
| 025.071 | 7 | 18 | 12 | 3,7 | 5,5 | 110 | 19 | 10 |
| 025.081 | 8 | 19 | 13 | 4, | 6 | 120 | 24 | 10 |
| 025.091 | 9 | 21 | 14,5 | 4, | 6,5 | 125 | 28 | 10 |
| 025.101 | 10 | 23 | 16 | 4,7 | 7 | 135 | 38 | 10 |
| 025.111 | 11 | 26 | 16,5 | 4,7 | 7,5 | 144 | 45 | 10 |
| 025.121 | 12 | 28 | 18,5 | 5,2 | 8 | 155 | 59 | 10 |
| 025.131 | 13 | 30 | 19 | 5,2 | 8,3 | 165 | 67 | 10 |
| 025.141 | 14 | 31 | 19,8 | 5,8 | 8,9 | 175 | 77 | 10 |
| 025.151 | 15 | 34 | 21,4 | 5,8 | 9 | 184 | 89 | 10 |
| 025.161 | 16 | 35 | 23 | 6 | 9,5 | 195 | 110 | 10 |
| 025.171 | 17 | 37 | 24,8 | 6,5 | 10 | 204 | 123 | 10 |
| 025.181 | 18 | 39 | 26 | 7 | 10,5 | 215 | 139 | 10 |
| 025.191 | 19 | 41 | 27,5 | 7 | 11,2 | 229 | 172 | 10 |
| 025.201 | 20 | 42 | 29 | 7,5 | 11,2 | 240 | 181 | 5 |
| 025.211 | 21 | 45 | 32 | 7,7 | 12 | 250 | 204 | 5 |
| 025.221 | 22 | 45 | 32 | 7,7 | 12 | 250 | 201 | 5 |
| 025.231 | 23 | 49 | 35 | 8,3 | 13 | 270 | 282 | 1 |
| 025.241 | 24 | 49 | 35 | 8,3 | 13 | 270 | 264 | 5 |
| 025.251 | 25 | 53 | 39 | 8,9 | 14 | 290 | 352 | 1 |
| 025.261 | 26 | 53 | 39 | 8,9 | 14 | 290 | 345 | 1 |
| 025.271 | 27 | 58 | 41 | 8,9 | 14,5 | 310 | 392 | 5 |
| 025.281 | 28 | 58 | 41 | 8,9 | 14,5 | 310 | 389 | 1 |
| 025.291 | 29 | 60 | 45 | 9,5 | 15 | 330 | 465 | 1 |
| 025.301 | 30 | 60 | 45 | 9,5 | 15 | 330 | 456 | 5 |
| 025.321 | 32 | 67 | 48 | 9,5 | 16 | 350 | 552 | 5 |
| 025.341 | 34 | 67 | 48 | 9,5 | 16 | 350 | 550 | 1 |
| 025.361 | 36 | 74 | 54 | 10,4 | 17 | 401 | 787 | 1 |
| 025.411 | 41 | 82 | 61 | 12 | 19,5 | 436 | 1.070 | 1 |
| 025.461 | 46 | 92 | 66 | 15 | 23 | 556 | 1.750 | 1 |
| 025.501 | 50 | 100 | 73 | 17 | 26 | 602 | 2.200 | 1 |
| 025.751 | 55 | 113 | 84 | 18 | 28 | 612 | 3.070 | 1 |
| 025.761 | 60 | 125 | 90 | 20 | 30 | 660 | 3.500 | 1 |
| 025.771 | 65 | 132 | 98 | 21 | 34 | 710 | 4.750 | 1 |
| 025.781 | 70 | 140 | 102 | 22 | 35 | 760 | 5.550 | 1 |
| 025.791 | 75 | 150 | 108 | 25 | 38 | 810 | 6.800 | 1 |

| COD. | S | B1 | B2 | E1 | E2 | L | grs. | u. |
|---------|---------|-----|------|------|------|-----|-------|----|
| 025.511 | 1/4 | 16 | 10,5 | 3,7 | 5 | 105 | 14 | 1 |
| 025.521 | 5/16 | 19 | 13 | 4 | 6 | 120 | 24 | 1 |
| 025.531 | 3/8 | 21 | 14,5 | 4 | 6,5 | 125 | 28 | 1 |
| 025.541 | 7/16 | 26 | 16,5 | 4,7 | 7,5 | 144 | 45 | 1 |
| 025.551 | 1/2 | 30 | 19 | 5,2 | 8,3 | 165 | 67 | 1 |
| 025.561 | 9/16 | 31 | 19,8 | 5,8 | 8,9 | 175 | 77 | 1 |
| 025.571 | 5/8 | 35 | 23 | 6 | 9,5 | 195 | 110 | 1 |
| 025.581 | 11/16 | 39 | 26 | 7 | 10,5 | 215 | 139 | 1 |
| 025.591 | 3/4 | 41 | 27,5 | 7 | 11,2 | 229 | 172 | 1 |
| 025.601 | 13/16 | 45 | 32 | 7,7 | 12 | 250 | 204 | 1 |
| 025.611 | 7/8 | 45 | 32 | 7,7 | 12 | 250 | 204 | 1 |
| 025.621 | 15/16 | 49 | 35 | 8,3 | 13 | 270 | 282 | 1 |
| 025.631 | 1 | 53 | 39 | 8,9 | 14 | 290 | 352 | 1 |
| 025.641 | 1.1/16 | 58 | 41 | 8,9 | 14,5 | 310 | 392 | 1 |
| 025.651 | 1.1/8 | 58 | 41 | 8,9 | 14,5 | 310 | 392 | 1 |
| 025.671 | 1.1/4 | 67 | 48 | 9,5 | 16 | 350 | 552 | 1 |
| 025.681 | 1.3/8 | 74 | 54 | 10,4 | 17 | 401 | 787 | 1 |
| 025.691 | 1.7/16 | 74 | 54 | 10,4 | 17 | 401 | 787 | 1 |
| 025.731 | 1.1/2 | 74 | 54 | 10,4 | 17 | 401 | 787 | 1 |
| 025.701 | 1.5/8 | 80 | 61 | 11,5 | 19,5 | 435 | 1.050 | 1 |
| 025.711 | 1.13/16 | 91 | 66 | 15 | 23 | 555 | 1.850 | 1 |
| 025.721 | 2 | 100 | 73 | 17 | 26 | 602 | 2.215 | 1 |

- Acero cromo vanadio

| COD. | Nº Pzas. | Contenido | grs. |
|---------|----------|--|-------|
| 026.111 | 6 | 8, 10, 11, 13, 14, 17 | 377 |
| 026.121 | 8 | 8, 10, 11, 13, 14, 17, 19, 22 | 742 |
| 026.131 | 12 | 8, 9, 10, 11, 12, 13, 14, 15, 16, 17, 19, 22 | 1.035 |
| 026.141 | 12 | 10, 11, 12, 13, 14, 17, 19, 22, 24, 27, 30, 32 | 3.505 |
| 026.151 | 14 | 8, 9, 10, 11, 12, 13, 14, 17, 19, 22, 24, 27, 30, 32 | 2.525 |
| 026.311 | 8 | 3/8, 7/16, 1/2, 9/16, 5/8, 11/16, 3/4, 7/8 | 814 |
| 026.321 | 12 | 3/8, 7/16, 1/2, 9/16, 5/8, 11/16, 3/4, 7/8, 15/16, 1.1/16, 1.1/8, 1.1/4 | 1.080 |
| 026.331 | 14 | 3/8, 7/16, 1/2, 9/16, 5/8, 11/16, 3/4, 13/16, 7/8, 15/16, 1", 1.1/16, 1.1/8, 1.1/4 | 2.785 |



| COD. | Nº Pzas. | Contenido | grs. |
|---------|----------|--|-------|
| 026.411 | 6 | 8, 10, 11, 13, 14, 17 | 410 |
| 026.421 | 8 | 8, 10, 11, 13, 14, 17, 19, 22 | 810 |
| 026.431 | 12 | 10, 11, 12, 13, 14, 17, 19, 22, 24, 27, 30, 32 | 2.550 |
| 026.441 | 14 | 10, 11, 12, 13, 14, 16, 17, 19, 21, 22, 24, 27, 30, 32 | 2.900 |
| 026.451 | 17 | 6, 7, 8, 9, 10, 11, 12, 13, 14, 15, 16, 17, 18, 19, 20, 21, 22 | 1.600 |
| 026.461 | 26 | 6, 7, 8, 9, 10, 11, 12, 13, 14, 15, 16, 17, 18, 19, 20, 21, 22, 23, 24, 25, 26, 27, 28, 29, 30, 32 | 5.250 |
| 026.511 | 8 | 3/8, 7/16, 1/2, 9/16, 5/8, 11/16, 3/4, 7/8 | 890 |
| 026.521 | 12 | 3/8, 7/16, 1/2, 9/16, 5/8, 11/16, 3/4, 7/8, 15/16, 1.1/16, 1.1/8, 1.1/4 | 2.600 |

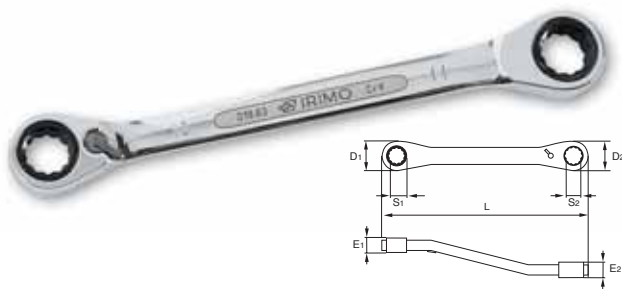


Anillas extra delgadas.
Avellanado para
facilitar la colocación.



Perfil NPP que apoya en las
caras del tornillo sin
deformarlas aristas.
* Hasta 32 mm.

LLAVE DE ESTRELLA CARRACA INCLINADA



| COD. | S1x S2 | D1 | D2 | E1 | E2 | L | grs. | u. |
|---------|--------|----|----|------|------|-----|------|----|
| 019.611 | 6x7 | 14 | 17 | 6,3 | 6,5 | 115 | 40 | 1 |
| 019.621 | 8x9 | 17 | 20 | 6,5 | 6,9 | 128 | 50 | 1 |
| 019.631 | 10x11 | 20 | 22 | 7,3 | 7,7 | 150 | 70 | 1 |
| 019.641 | 12x13 | 23 | 25 | 8,2 | 8,6 | 170 | 90 | 1 |
| 019.651 | 14x15 | 27 | 30 | 9,0 | 9,4 | 190 | 130 | 1 |
| 019.661 | 16x17 | 30 | 32 | 9,9 | 10,3 | 200 | 170 | 1 |
| 019.671 | 18x19 | 32 | 34 | 10,3 | 11,2 | 230 | 210 | 1 |
| 019.681 | 20x22 | 34 | 40 | 11,2 | 13,0 | 245 | 250 | 1 |

LLAVE COMBINADA CON CARRACA

Carraca resistente sobrepasa ISO más ensayos cíclicos de vida



| COD. | S | B1 | B2 | E1 | E2 | L | grs. | u. |
|---------|----|----|----|------|------|-----|------|----|
| 018.511 | 6 | 15 | 14 | 3,9 | 6,3 | 128 | 27 | 1 |
| 018.521 | 7 | 17 | 17 | 4,6 | 6,5 | 140 | 35 | 1 |
| 018.531 | 8 | 17 | 17 | 4,6 | 6,5 | 140 | 38 | 1 |
| 018.541 | 9 | 19 | 18 | 4,9 | 6,9 | 150 | 48 | 1 |
| 018.551 | 10 | 21 | 20 | 5,3 | 7,3 | 159 | 57 | 1 |
| 018.561 | 11 | 23 | 22 | 5,6 | 7,7 | 165 | 67 | 1 |
| 018.571 | 12 | 25 | 23 | 6,0 | 8,2 | 172 | 82 | 1 |
| 018.581 | 13 | 27 | 25 | 6,4 | 8,6 | 178 | 95 | 1 |
| 018.591 | 14 | 29 | 27 | 6,8 | 9,0 | 191 | 113 | 1 |
| 018.601 | 15 | 31 | 28 | 7,0 | 9,4 | 200 | 130 | 1 |
| 018.611 | 16 | 33 | 30 | 7,2 | 9,9 | 208 | 158 | 1 |
| 018.621 | 17 | 36 | 32 | 7,7 | 10,3 | 226 | 180 | 1 |
| 018.631 | 18 | 38 | 33 | 8,2 | 10,7 | 237 | 213 | 1 |
| 018.641 | 19 | 40 | 34 | 8,8 | 11,2 | 248 | 233 | 1 |
| 018.651 | 21 | 46 | 40 | 9,0 | 13,0 | 290 | 343 | 1 |
| 018.661 | 22 | 46 | 40 | 9,0 | 13,0 | 290 | 345 | 1 |
| 018.671 | 24 | 52 | 46 | 10,0 | 14,5 | 323 | 503 | 1 |
| 018.681 | 27 | 57 | 53 | 10,5 | 15,5 | 359 | 550 | 1 |
| 018.691 | 30 | 63 | 59 | 11,4 | 17,0 | 493 | 750 | 1 |
| 018.721 | 32 | 66 | 63 | 12,5 | 17,5 | 425 | 900 | 1 |



EXPOSITOR DE LLAVES COMBINADAS CON CARRACA



| COD. | mm | grs |
|---------|----|--------|
| 910.681 | 58 | 12.000 |

Composición

| COD. | mm | u. |
|---------|----|----|
| 018.531 | 8 | 5 |
| 018.551 | 10 | 10 |
| 018.561 | 11 | 5 |
| 018.571 | 12 | 5 |
| 018.581 | 13 | 10 |
| 018.591 | 14 | 5 |
| 018.621 | 17 | 5 |
| 018.641 | 19 | 5 |
| 018.661 | 22 | 4 |
| 018.671 | 24 | 4 |

JUEGOS

| COD. | Nº Pzas. | Contenido | grs. |
|---------|----------|-----------------------------------|-------|
| 018.701 | 7 | 8,10,11,12,13,17,19 | 790 |
| 018.711 | 12 | 8,9,10,11,12,13,14,15,16,17,18,19 | 1.465 |
| 018.901 | 9 | 10, 13, 19 + 6 adapt | 500 |

